

# Field-Portable Ultrasonic Transit-Time Liquid Flow Meter

## FEATURES

- One meter for a wide range of pipe sizes from 2 to 236 inches (50.8 to 6000 mm)
- Fully field-portable, lightweight, and totally self-contained flow measurement package with 11.1 VDC rechargeable lithium-ion battery (continuous operation for up to 10 hours)
- Clamp-on sensors require no pipe cutting or process interruption, no plant shutdown, and are a hygienic measurement leading to lower installation and labor costs
- Two 12-inch magnetic transducer racks for easy attachment to magnetic pipes with flexibility to be moved to smaller pipes without tools
- Accuracy +/- 0.5% of reading from 0.03 to 40 ft/s (0.01 to 12 m/s)
- Repeatability +/- 0.1% of full scale
- Wide operating temperature range -40°F to 176°F (-40°C to 80°C)
- Encapsulated transducers; IP 68 with 16 ft (5m) standard cable
- NEMA 13 (IP 54) transmitter with 3.5-inch backlit color screen (320 x 240) with new flow graph display
- 24 tactile keys with 12 dual-function and 7 quick setup keys
- Analog out 4 to 20 mA (max 750  $\Omega$ )
- 2 GB SD memory card for high-capacity data logging. 48 hour total time.



[www.sierrainstruments.com](http://www.sierrainstruments.com)



INNOVASONIC<sup>®</sup> 210i



## DESCRIPTION

**S**ierra's portable InnovaSonic<sup>®</sup> 210i ultrasonic clamp-on liquid flow meter enables the user to do flow measurement checks at many points in a flow process without the need for a permanent installation.

Battery powered, lightweight, and rugged, the 210i is a totally self-contained flow measurement package. 210i comes standard with a sturdy and convenient pelican carrying case, transducers installed into compact, easy to set up mounting racks (magnetic & cable mount), coupling compound and a start-up CD. Get high accuracy measurements in five minutes or less. This universal transit-time meter features a dual-function pushbutton interface, ergonomic handheld design and a beautiful backlit color digital display that significantly simplifies setup and data collection.

The 210i is ideal for precisely measuring a wide range of liquid flows. Its high-powered ultrasonic pulse with improved digital signal processing requires just one set of transducers for a wide range of pipe sizes and materials including metal, plastic and concrete. While principally designed for clean liquids, the 210i operates effectively with the minimal quantity of air bubbles or suspended solids found in most industrial applications.

The 210i provides a powerful and extremely user-friendly programming menu that includes instantaneous flow rate, positive total, negative total, net total, velocity, date & time, and daily flow results. Its 2 GB SD memory card promises high-capacity data logging and a rechargeable lithium-ion battery supports continuous operation up to 10 hours.

**PERFORMANCE SPECIFICATIONS**

**Accuracy**

+/- 0.5% of reading from 0.03 to 40 ft/s (0.01 to 12 m/s)

**Repeatability**

+/- 0.1% of full scale

**Pipe Size**

2 to 236 inches (50.8 to 6000 mm)

**OPERATING SPECIFICATIONS**

**Flow Range**

0.03 to 40 ft/s (0.01 to 12 m/s)

**Temperature**

Ambient: 14°F to 122°F (-10°C to 50°C)  
 Operating: -40°F to 176°F (-40°C to 80°C)

**Power Supply**

11.1 VDC rechargeable lithium-ion battery (continuous operation of up to 10 hours)

**Output**

Analog: 4 to 20 mA current loop (max load 750 Ω)

**Keypad**

24 tactile keys with 12 dual-function and 7 quick setup keys

**Display**

3.5 inch backlit color LCD display (320 x 240)

**Humidity**

Up to 99% RH (non-condensing)

**Data Logging**

2 GB SD memory card for high-capacity data logging  
 1 minute to 48 hour collection time

**PHYSICAL SPECIFICATIONS**

**Transmitter**

NEMA 13 (IP 54)

**Transducer**

Encapsulated design IP 68  
 Standard cable length: 16 ft (5 m)  
 Maximum cable length: 100 ft (30 m)

**Electronics Dimensions**

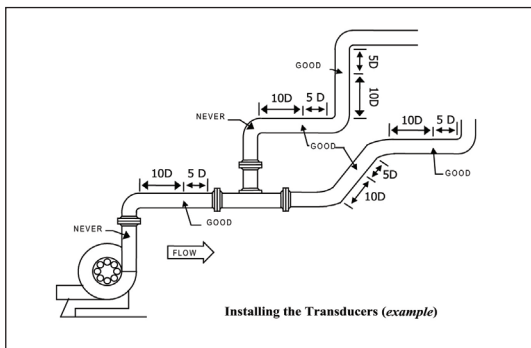
Transmitter: H = 7.8 inches (19.5 cm) W = 5.3 inches (13.5 cm) D = 1.4 inches (3.5 cm)  
 Transducer: H = 11.75 inches (29.85 cm) W = 1.5 inches (3.81 cm) D = 1.5 inches (3.81 cm)

**Weight**

Transmitter: 1.4 lbs (.6 kg)  
 Transducer: 1 lbs (.4 kg)

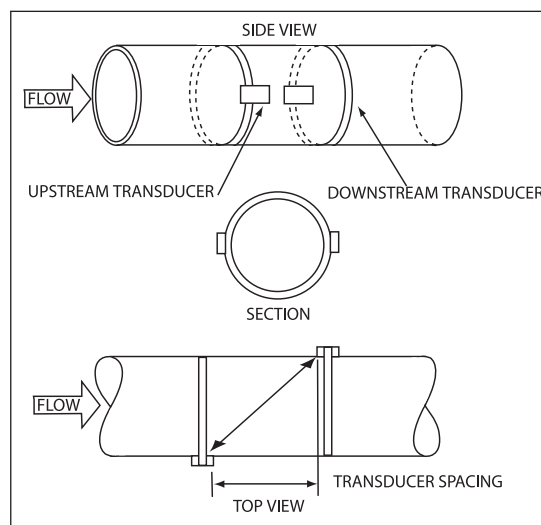
**OPTIMAL INSTALLATION LOCATION**

**Transducer Installation Examples**

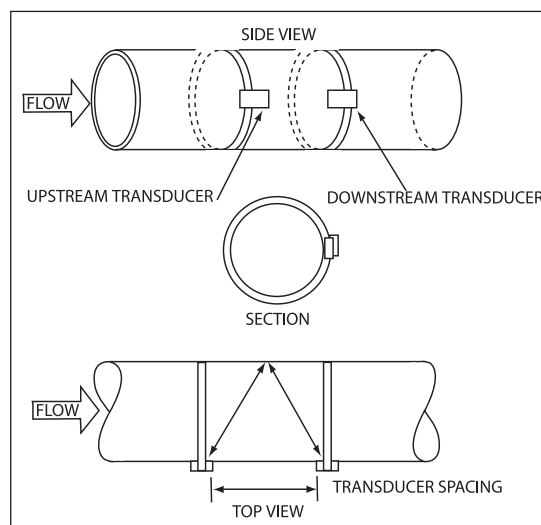


**TRANSDUCER SPACING REQUIREMENTS**

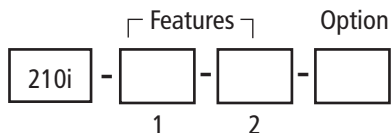
**Z Method Transducer Spacing**



**V Method Transducer Spacing**







Instructions: To order the 210i, please fill in each number block by selecting the codes from the corresponding features below and following pages.

Parent Number	
<b>210i</b>	InnovaSonic® Portable Ultrasonic Transit-Time Liquid Flow Meter
Feature 1: Interface	
<b>1</b>	Push-button tactile keys with display
Feature 2: Transducer and Cable Length	
<b>16</b>	Clamp-on portable transducers with two magnetic mounting racks. Operating temperature -40°F to 176°F (-40°C to 80°C), 16 ft. (5m) standard cable length. Longer lead time for longer cable lengths.
Option: NIST Traceable Certificate	
<b>NIST</b>	5-point calibration certification traceable to NIST. Add two weeks to standard delivery.

# Flexibility And Options.

## Learn About Our New Rental Program.

### How To Apply For Rental

- Visit <http://sierrainstruments.com/rental>
- Email [Rental@SierraInstruments.com](mailto:Rental@SierraInstruments.com)



In Stock Products. Ship In Three Days.\*

<https://sierrainstruments.com/shop/210i>



\*Disclaimer: Dependent on availability of stock.

Locally available from

**ANSAC**

35, Marsiling Industrial Estate Road 3, #02-01 Singapore 739257

T: (65) 6368 0225 F: (65) 6368 8023 E: [sales@ansac-tech.com.sg](mailto:sales@ansac-tech.com.sg) | [www.ansac-tech.com.sg](http://www.ansac-tech.com.sg)

SIERRA INSTRUMENTS, NORTH AMERICA • 5 Harris Court, Building L • Monterey, California • (800) 866-0200 • (831) 373-0200 • Fax (831) 373-4402 • [www.sierrainstruments.com](http://www.sierrainstruments.com)

SIERRA INSTRUMENTS, EUROPE • Bijlmansweid 2 • 1934RE Egmond aan den Hoef • The Netherlands • +31 72 5071400 • Fax: +31 72 5071401

SIERRA INSTRUMENTS, ASIA • Second Floor Building 5 Senpu Industrial park • 25 Hangdu Road Hangtong Town • Pu Dong New District • Shanghai, P.R. China 200122 • +8621 5879 8521/22 • Fax: +8621 5879 8586